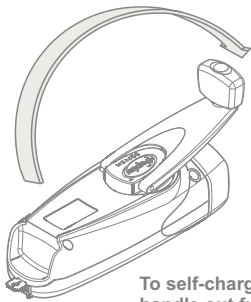
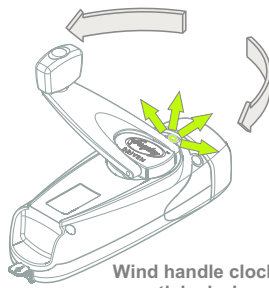


ECO-CHARGE™ flashlight

www.freeplayenergy.com



To self-charge, fold handle out fully



Wind handle clockwise or anticlockwise illuminating the green LED

The Freeplay Sherpa LED Eco-Charge Flashlight, designed for absolute reliability, offers the choice of 2 brightness settings providing bright and dependable light in one compact rugged unit for both everyday and emergency use with the peace of mind of never needing to ever replace batteries or bulbs.

With the Freeplay Sherpa LED you've got light anytime, anywhere.

English

Controls

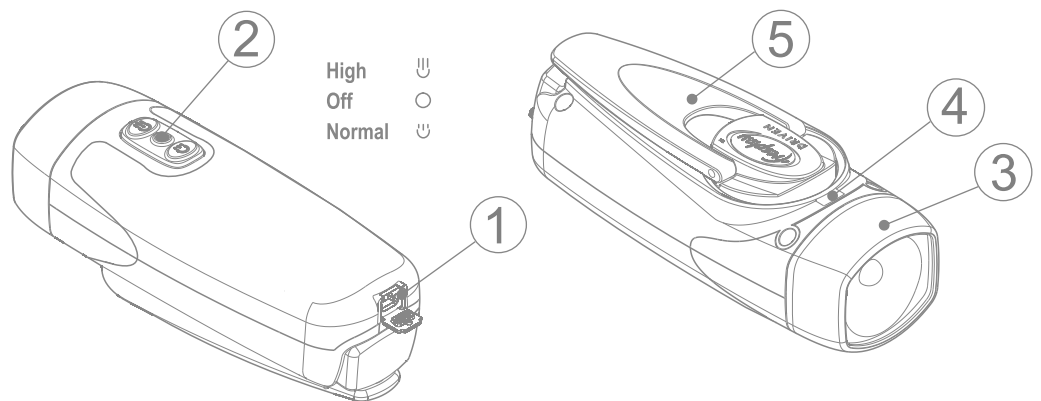
1. USB input socket
2. 3 way switch
3. Lens enclosure
4. Optimum charge level indicator
5. Winder handle

Switch Controls

- Normal beam
- Off
- High Beam

Congratulations on purchasing the Freeplay Eco-Charge Sherpa LED flashlight

Please read these operating instructions carefully before using your flashlight and retain them for easy reference



FEATURES

- Mini USB recharge capability with internal rechargeable Ni-MH battery for ultra bright light
- Freeplay direct charge alternator
- The Sherpa LED gives you a choice between energy saving and full power settings
- Up to 18 hours of continuous shine time when fully charged
- Optimum charge level indicator for ease of use
- Ultra bright white LED with a 100 000 hour life
- Splash resistant
- Non Slip rubberised grip

PRECAUTIONS

To prolong battery life, always switch the flashlight off after use. A constant drain on a fully discharged battery will shorten the battery life. Do not open the casing other than when disposing of the unit. Cover the USB input socket with the attached rubber cap when not charging the product. When cleaning, do not use abrasives or chemicals. Only use a damp cloth and mild detergents.

OPERATION

External charging

To charge from the wall, switch the flashlight off. Plug a Mini USB lead into the USB socket located at the side of the flashlight. After approx 4 hours the flashlight will be fully charged. Do not charge for longer than a maximum of 5 hours.

Self charge operation

To operate, hold the flashlight firmly and crank the winder handle in any direction. A self charge of about 60 seconds will provide approximately 30 minutes of light (normal beam setting). The flashlight can be cranked further at anytime to extend shine times. The Sherpa LED flashlight is equipped with a LED charge level indicator, situated next to the winder handle, which signals when the optimum input effort is reached. Cranking faster will put a higher level of charge rate into the battery and consequently increase shine times. Cranking the winder handle drives the internal alternator via a transmission, generating self-powered energy which is stored in the internal battery.

Internal battery

For best results, the internal battery requires a brisk conditioning wind for 30 seconds, followed by a charge for 4 hours prior to first use. The flashlight can, however, be used immediately in the "self charge" mode if required.

USB charger

A standard 5V 500mA mini USB charging protocol means that one charger will now be able to charge most Freeplay products. You may already own a compatible charger (received with a mobile phone, PDA or digital camera). A compatible accessory range increases your charging options from the wall to the car, the sun and from your PC. We recommend that our products are externally charged for extended usage needs. Before you purchase a USB charging accessory, consider the environment and be sure that you don't already own an appropriate charging device.

LED

The Light source is a ultra bright high power white LED. The LED operates at 2 different brightness settings, the high intensity beam is designed for very

bright high-powered illumination after charging the flashlight. The low intensity setting provides greatly increased shine time and delivers extended illumination performance in self-charge mode should the battery become discharged. Do not look directly into the LED when switched on.

The LEDs have a useful life of up to 100 000 hours and never require replacing.

Disposal of unit

Ni-MH batteries should be recycled or disposed of in an environmentally friendly way as prescribed by your local regulations.

SPECIFICATIONS

Power source

Self charge : AC alternator driven by the crank via a 2 stage transmission

Rechargeable battery

Non-removeable rechargeable 3.6V Ni-MH battery pack

Light source

An ultra bright white 8mm LED

Adaptor charge rate

4 hours -100% capacity

Do not charge for longer than 5 hours

As a guide a constant input effort of 40 minutes would fully charge the battery

Performance

Shine time

Fully charged battery - 18 hours
60 second self charge - 30 min

Dimensions

	Metric (mm)	Imperial (Inches)
Height	55	2.1
Length	160	6.3
Width	60	2.4
Weight	349g	12.3 oz

FREEPLAY 1 YEAR WARRANTY

The manufacturer undertakes that, if within 1 (one) year of purchase, this appliance or any part thereof is proved to be defective by reason of faulty workmanship of materials, we will, at our option repair or replace the same free of charge for labour or materials on condition that:

1. The original invoice or sales receipt (indicating the date of purchase, product type and dealers name is presented with the defective unit.
2. The complete unit is returned, postage paid, to the manufacturer or country distributor.
3. The unit has not been serviced, maintained, repaired, taken apart or tampered with by any person not authorised by the manufacturer.
4. All service work is undertaken by the manufacturer or appointed agents.
5. Any defective unit or part shall become the property of the manufacturer.
6. This warranty is in addition to your statutory rights.
7. This warranty excludes damage caused by misuse or neglect.

To learn more about Freeplay products visit us at
www.freeplayenergy.com

Please consider the environment before printing this manual